

Climate Control Products

Air Conditioners Horizontal Top-Mounted Climate Control



Accessories & Options

- Air Deflectors
- Airflow Switch
- Cooling Effect Detector
- Filter Recoating Adhesive
- Filters for replacement
- Internal corrosion resistant coatings
- Lifting Eyes
- Low Ambient Kit
- Short Cycle Protector
- Special materials or external finishes
- Special motors, line cords or connectors
- 50/60 Hz Switchable

Description

Horizontal Top-Mounted Air Conditioners provide a full range of cooling capacities where space or other limitations prevent panel or internal rack mounting.

The low profile HT Compact Series is recommended for lower to moderate demand cooling applications in smaller enclosures.

Outdoor or corrosive environments require weather protection and/or special internal and external protective coatings. For extreme ambient temperatures and/or severely contaminated environments, the use of water-cooled air conditioners is recommended.

Custom air conditioners can be designed and manufactured to meet unique specifications. Contact B-Line about modification and custom-design capabilities.

Features

- Capacities: 4,000 BTU/H
- Filters
- Heavy-duty steel with baked powder finish
- UL/CSA ball bearing motors
- Five foot (minimum) SJT-3 wire power cord with plug
- Built-in Condensate Evaporator
- Complete line of accessories
- EMI/RFI Suppressor
- Environmentally preferred CFC-Free R134a refrigerant

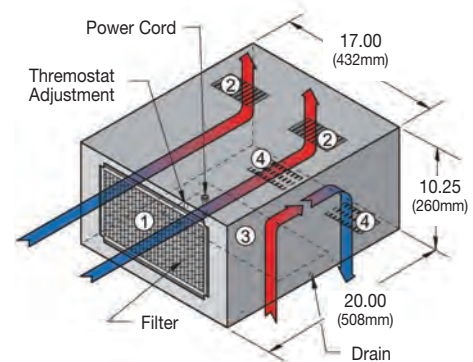
Discount Schedule: C2

Subclass: DTO

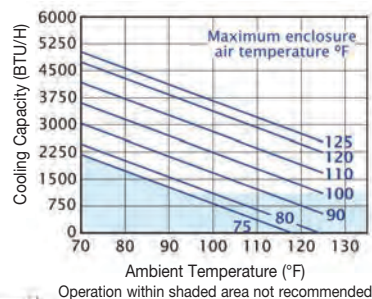
HT Series

Technical Data

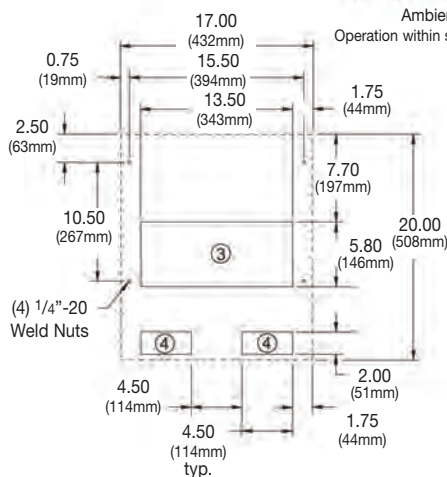
Catalog Number	BTU/H Capacity	95/95 Rating BTU/H	Ambient Temp F (max./min.)	Volts	Hz	Running Amps	Weight (lbs.)
KA4C4HTL	4000	2250	125/50	115/100	60/50	13.1	85
K2A4C4HTL	4000	2250	120/50	230/200	60/50	5.9	85



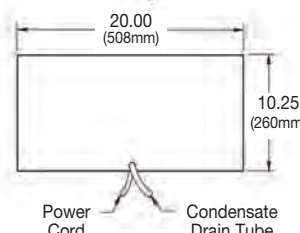
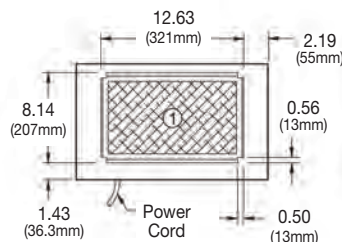
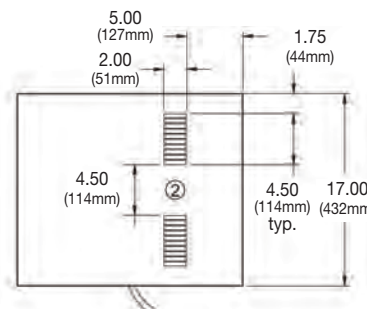
Performance KA4C4HTL



Mounting Plan



- (1) Filtered condenser air inlet (ambient air in)
- (2) Condenser outlet (warm ambient air out)
- (3) Warm air return from enclosure
- (4) Cool air outlet to enclosure



Notes: Data subject to change without notice. Consult factory for special requirements. Dimensions are in inches. Millimeters shown are for reference only.